

1

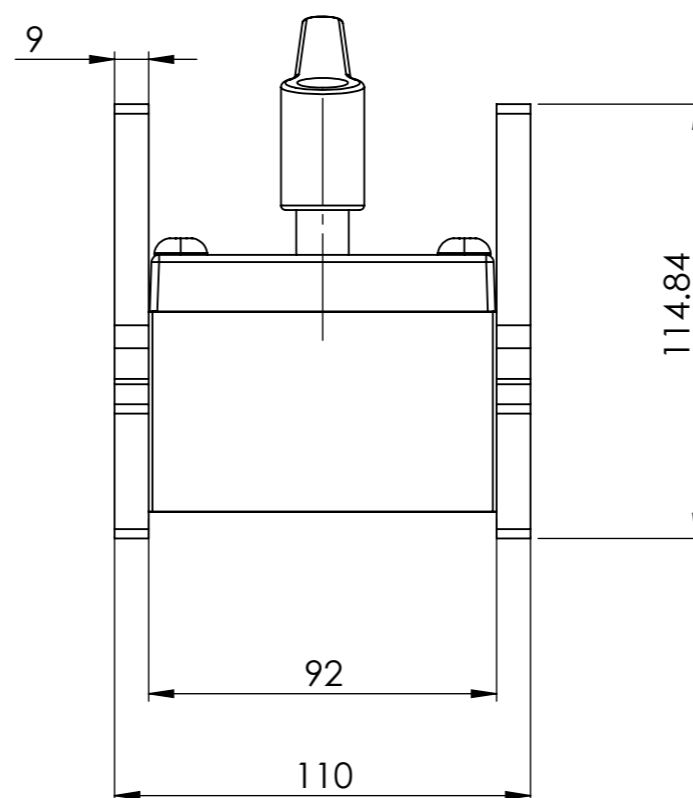
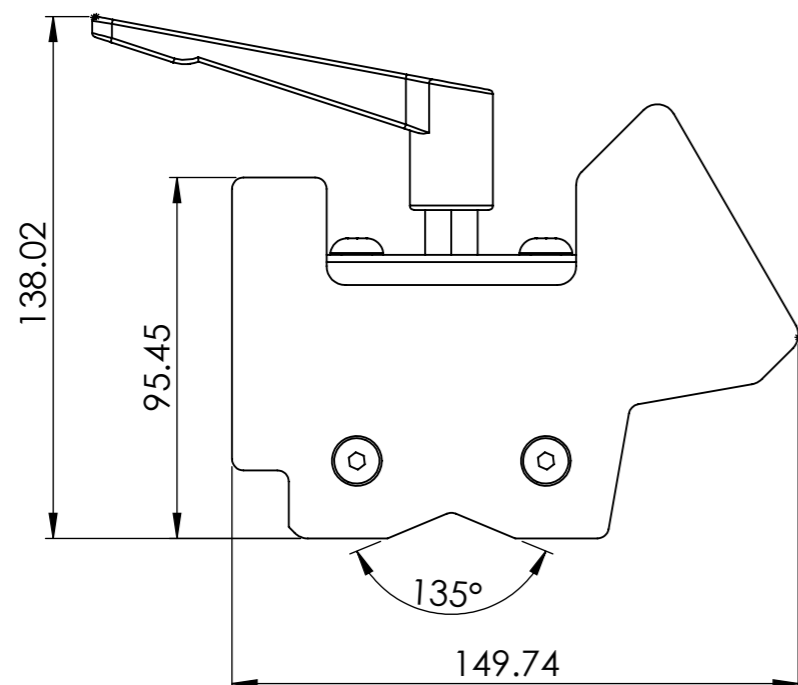
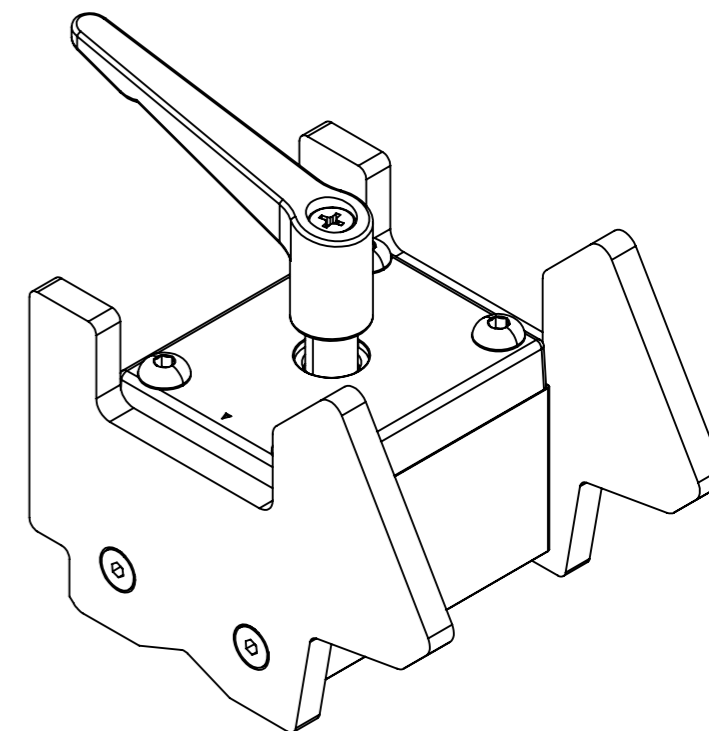
2

3

4

5

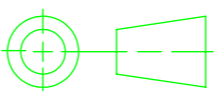
6




NOTES: UNLESS OTHERWISE SPECIFIED

- 1. INSPECT (ST) DIMENSIONS PER ISO 2768-M
- 2. 1° DRAFT ALLOWED FOR CASTING
- 3. REMOVE ALL BURRS AND BREAK SHARP EDGES.
- 4. IF CAST, TUMBLE DEBUR AFTER CASTING
- 5. FOR GENERAL DIMENSIONS NOT SPECIFIED SEE 3D CAD DATA
- 6. SURFACE ROUGHNESS

THIS DOCUMENT, AND THE INFORMATION IT CONTAINS, INCLUDING THE PRINCIPLES OF DESIGN, IS THE EXCLUSIVE PROPERTY OF MAGSWITCH TECHNOLOGY WORLDWIDE AND IS CONFIDENTIAL. ACCORDINGLY, THIS INFORMATION IS SUBMITTED TO YOU WITH THE AGREEMENT THAT IT IS NOT TO BE REPRODUCED, COPIED, OR LOANED IN PART OR IN WHOLE, NOR IS THE INFORMATION TO BE RELAYED TO ANY OTHER INDIVIDUAL OR COMPANY EXCEPT AS MTW FIRST AUTHORIZES IN WRITING. ACCEPTANCE OF THIS DOCUMENT CONSTITUTES AGREEMENT TO THESE RESTRICTIONS.

INTERPRET DRAWING PER: ISO 2768-M	DRAWN J. Singleton	DATE 9/28/2015
DIMENSIONS ARE IN MILLIMETERS	DESIGN	DATE
 THIRD ANGLE PROJECTION	STD. CHECK	DATE
	F/F CHECK	DATE
	APPROVED	DATE

DO NOT SCALE

 1355 HORIZON AVE
LAFAYETTE, COLORADO 80026
303-468-0662 / FAX 303-951-9918

TITLE: **MagVise 1000**

SIZE B	CAGE CODE	DWG. NO. 8100450	REV 03
SCALE 1:2		WEIGHT: 2910.08 g	SHEET 1 OF 1

1

2

3

4

5

6